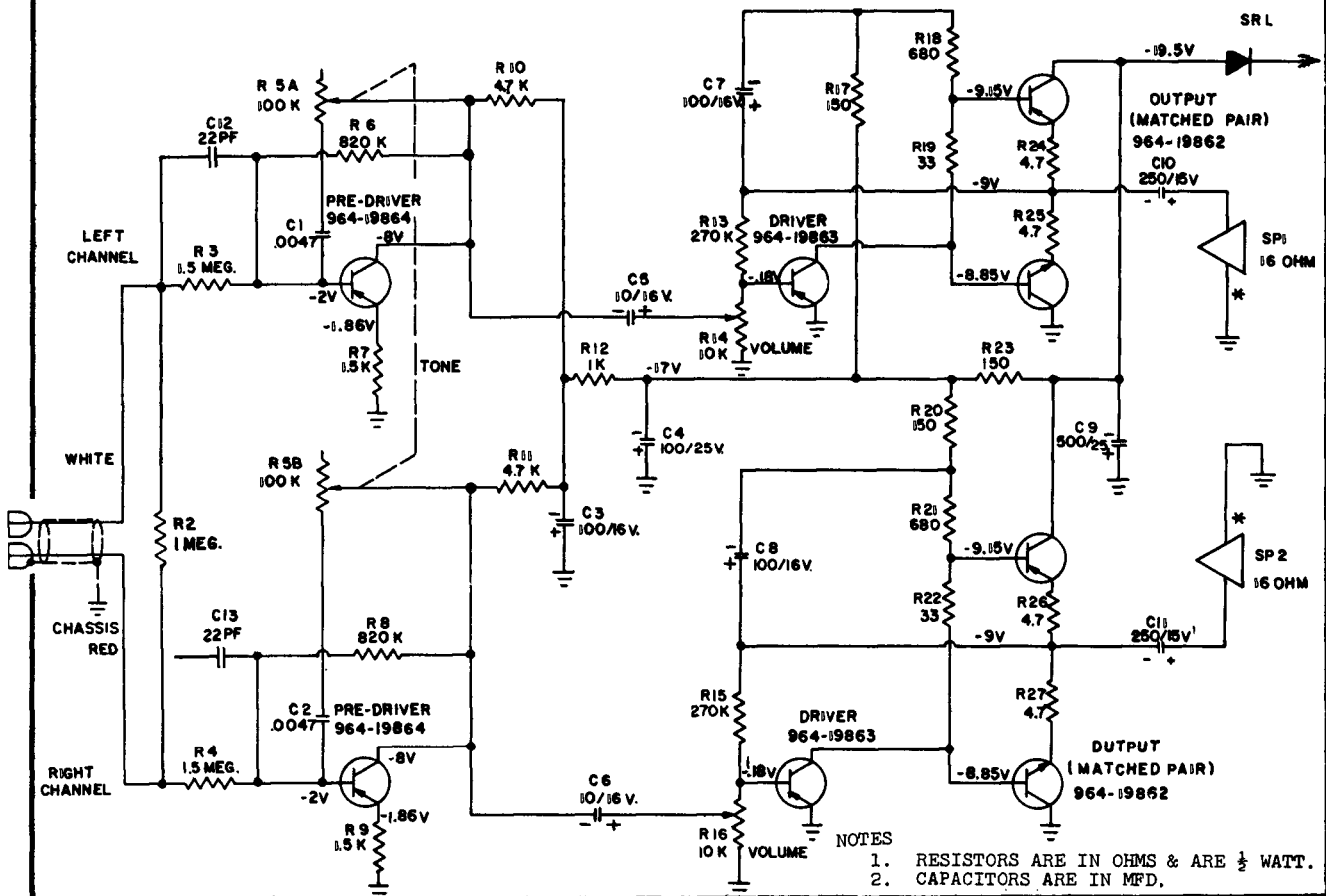


ZENITH Models X540G-1, 540L-1, X547P-1, 547X-1

TO PWR. TRANS.



- NOTES
1. RESISTORS ARE IN OHMS & ARE $\frac{1}{2}$ WATT.
 2. CAPACITORS ARE IN MFD.